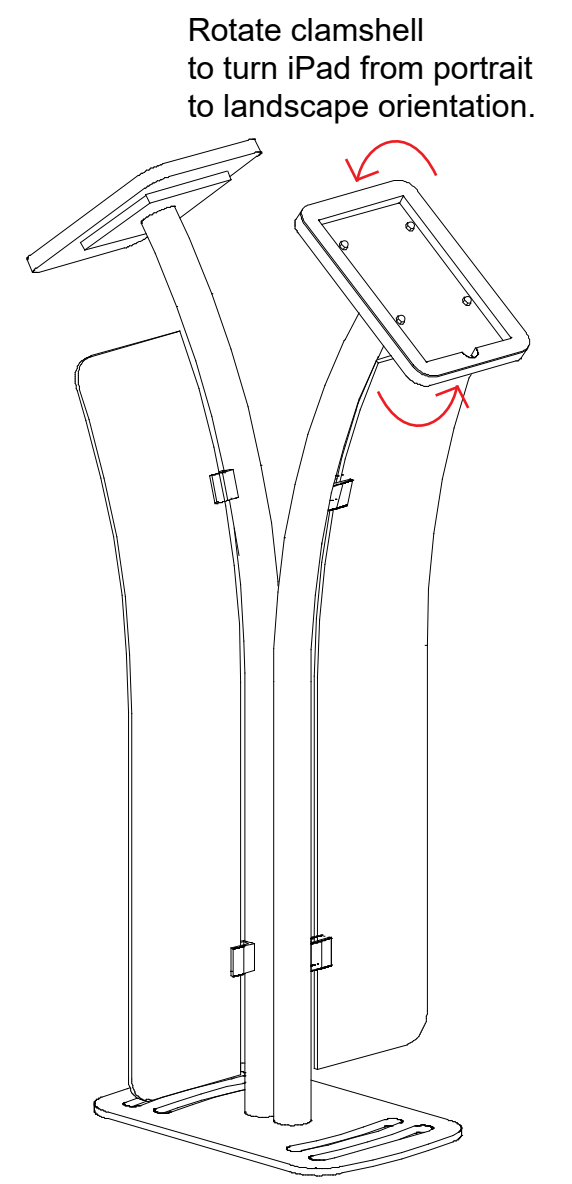
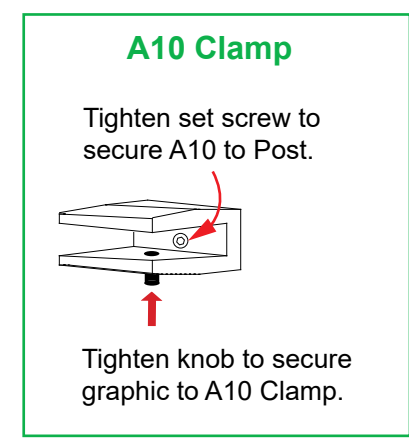
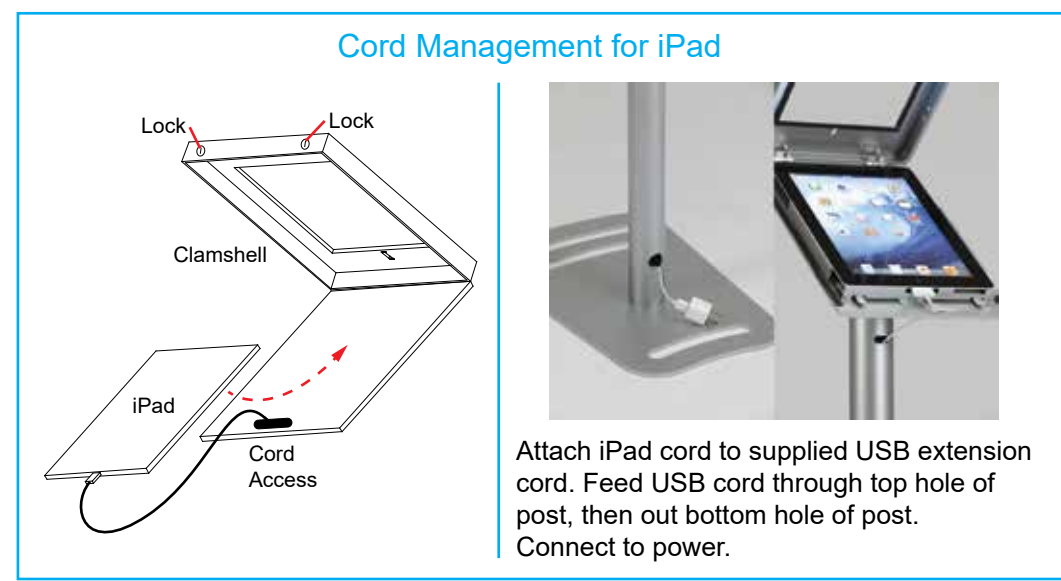


- Steps:
- 1) Attach base to posts, using bolts.
 - 2) Attach plate to each post, using bolts.
NOTE: Plate must rotate left and right, before installing clamshell.
 - 3) Attach clamshell with faceplate to each plate, using acorn nuts.
 - 4) Attach graphics to A10 clamps. See **A10 Clamp** detail.
 - 5) Insert iPads in clamshells and feed cords through holes in posts.
See **Cord Management For iPad** detail.

Keep faceplate attached to clamshell, when shipping.



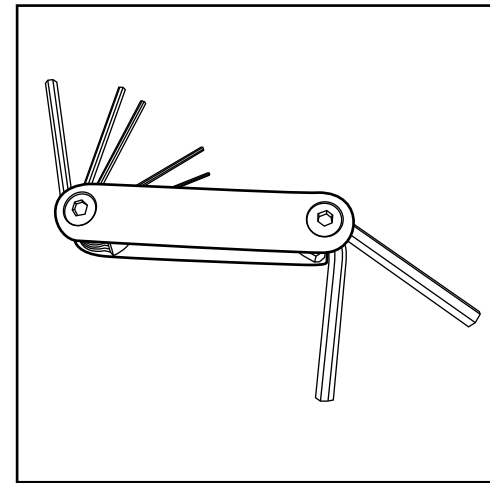
Completed Assembly



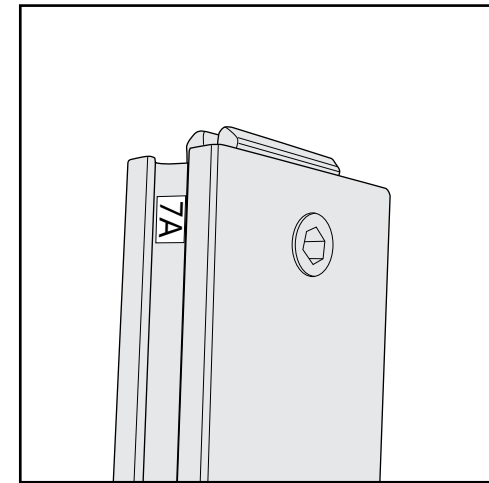
SETUP INSTRUCTIONS

General Setup Instructions

- Read entire setup instruction manual prior to unpacking parts and pieces.
- The setup instructions are created specifically for this configuration.
- Setup instructions are laid out sequentially in steps, including exploded views with detailed explanation for assembly.



Hex Tool - Essential for Assembly



Part Identification - Numbering



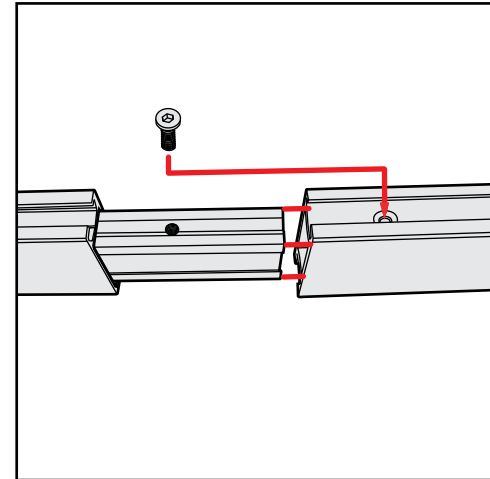
WARNING

Cleaning & Packing

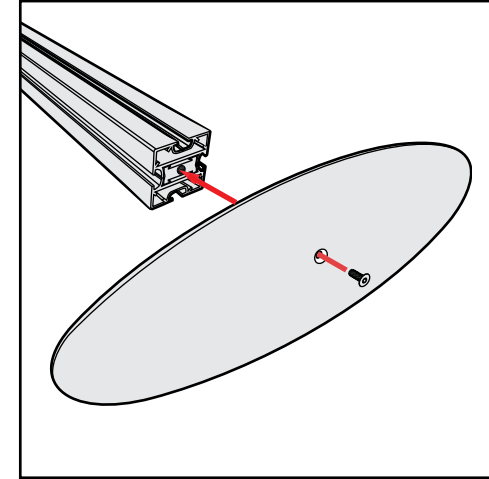
- For Cleaning Metal, Plex, & Laminate Parts: Use a **MILD NON-ABRASIVE** cleanser and soft cloth/paper towel to clean all surfaces.
- Keep exhibit components away from heat and prolonged sun exposure. **Heat and UV exposure will warp and fade components.**
- Retain all provided Packing Materials. All provided packing materials are for ease of repacking & component protection.

Disassembly

- For loss prevention, tighten all set screws and locks during disassembly.



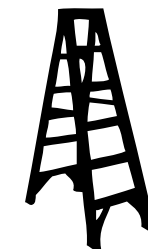
Spline Connection



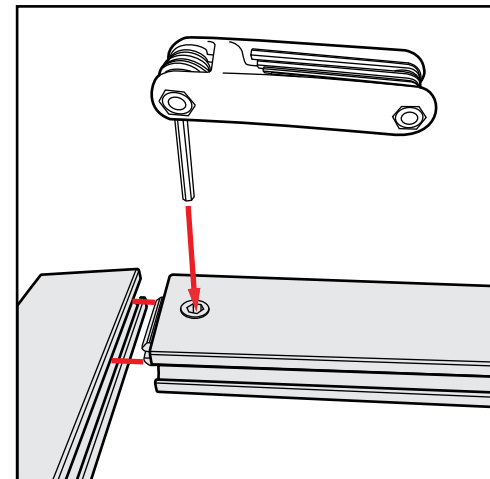
Base Plate & Extrusion Connection



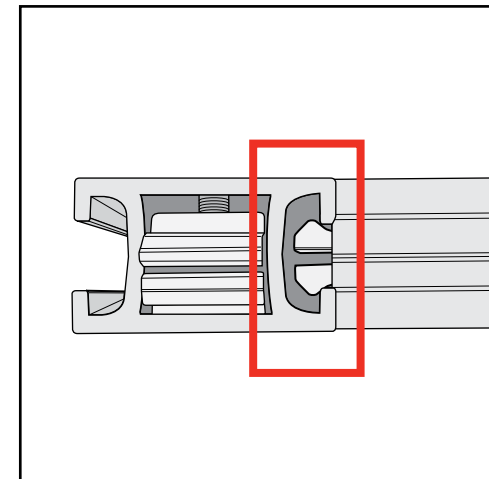
DO NOT USE POWER TOOLS



LADDERS OR LIFTS MAY BE REQUIRED



Extrusion & Lock Connection



Engaged Lock



ALL CONNECTIONS MUST BE TIGHTLY SECURED