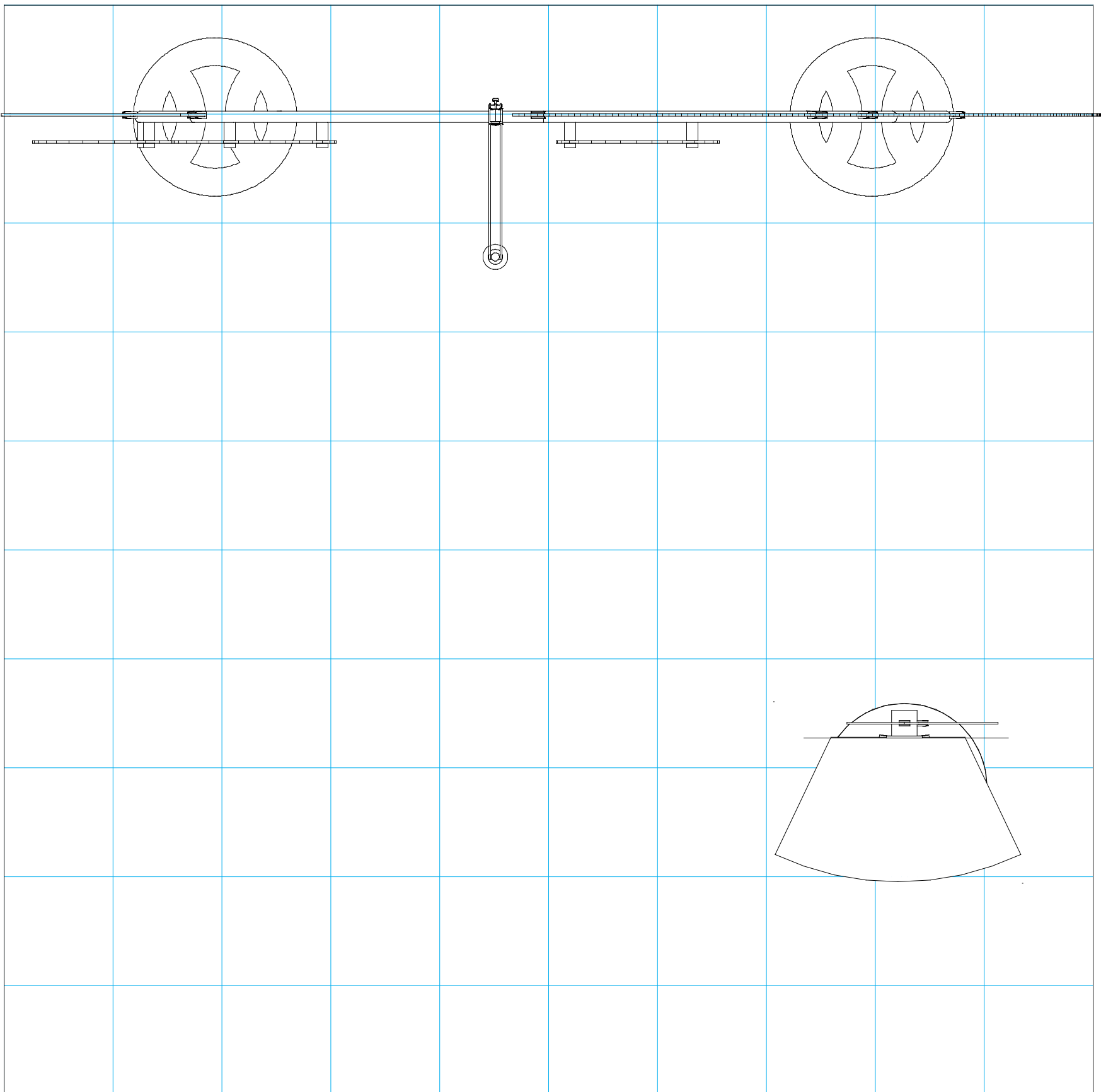


# **SETUP INSTRUCTIONS**



= 1 sq foot

## General Setup Instructions

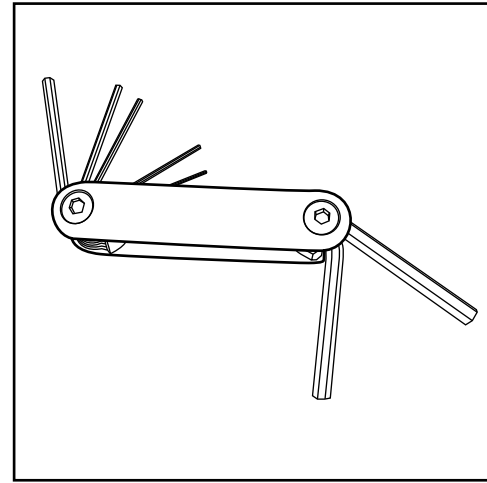
- Read entire setup instruction manual prior to unpacking parts and pieces.
- The setup instructions are created specifically for this configuration.
- Setup instructions are laid out sequentially in steps, including exploded views with detailed explanation for assembly.

## Cleaning & Packing

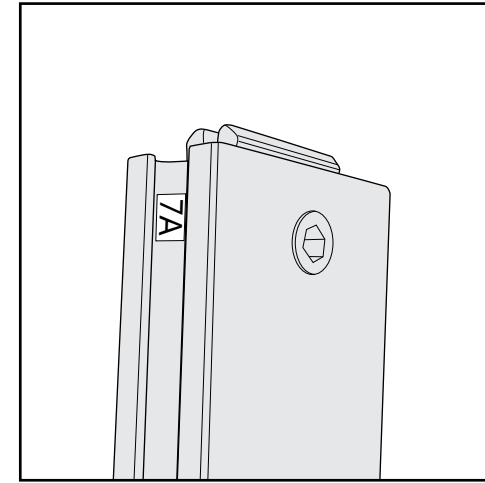
- For Cleaning Metal, Plex, & Laminate Parts: Use a **MILD NON-ABRASIVE** cleanser and soft cloth/paper towel to clean all surfaces.
- Keep exhibit components away from heat and prolonged sun exposure.  
**Heat and UV exposure will warp and fade components.**
- Retain all provided Packing Materials. All provided packing materials are for ease of repacking & component protection.

## Disassembly

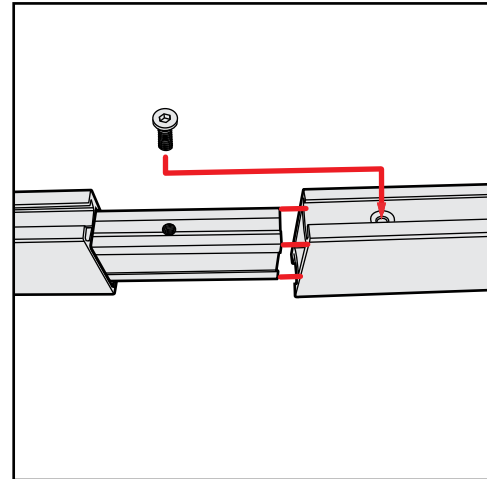
- For loss prevention, tighten all set screws and locks during disassembly.



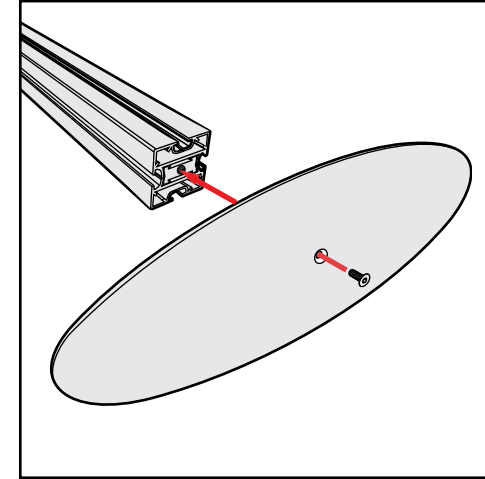
Hex Tool - Essential for Assembly



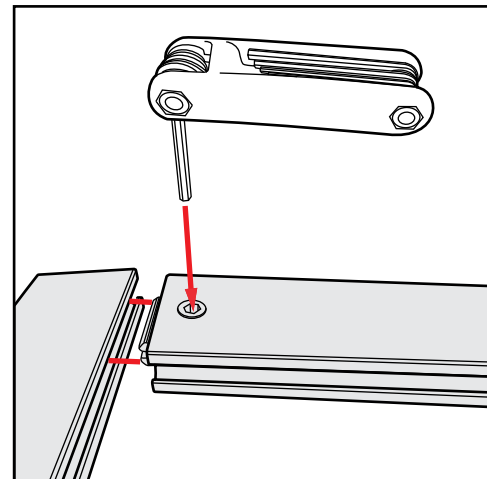
Part Identification - Numbering



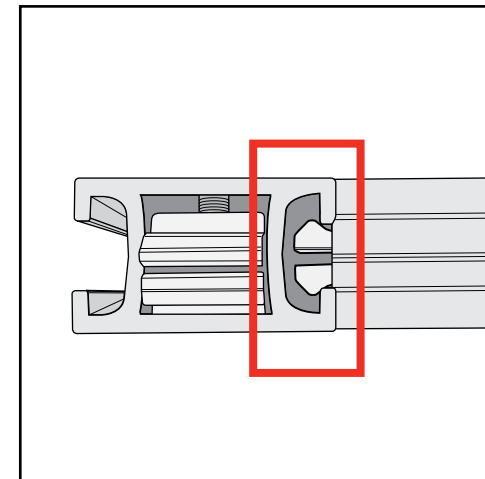
Spline Connection



Base Plate & Extrusion Connection



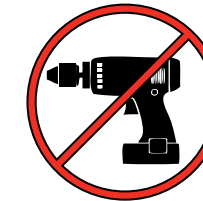
Extrusion & Lock Connection



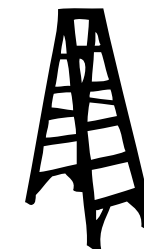
Engaged Lock



**WARNING**



DO NOT USE POWER TOOLS

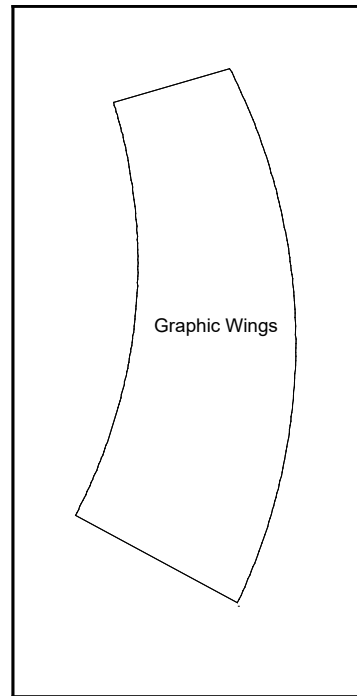


LADDERS OR LIFTS  
MAY BE REQUIRED

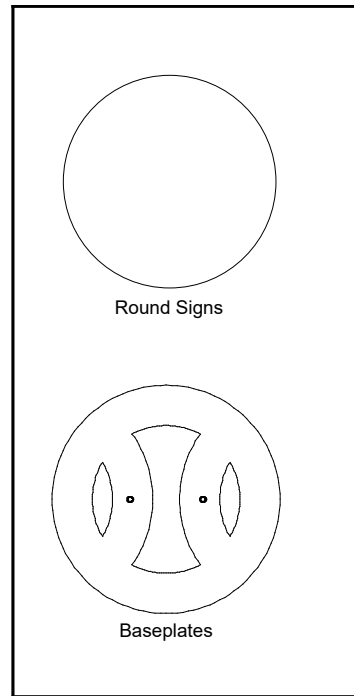


ALL CONNECTIONS MUST  
BE TIGHTLY SECURED

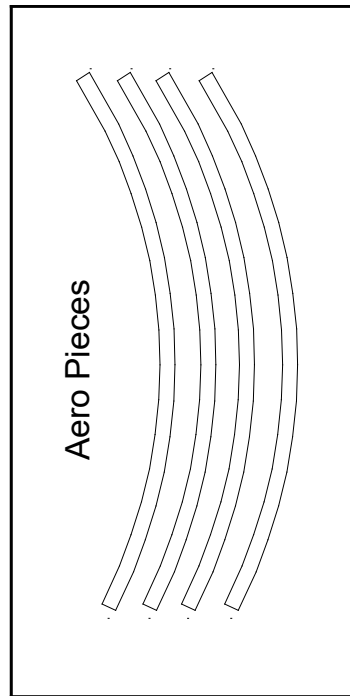
### Top View of Each Level



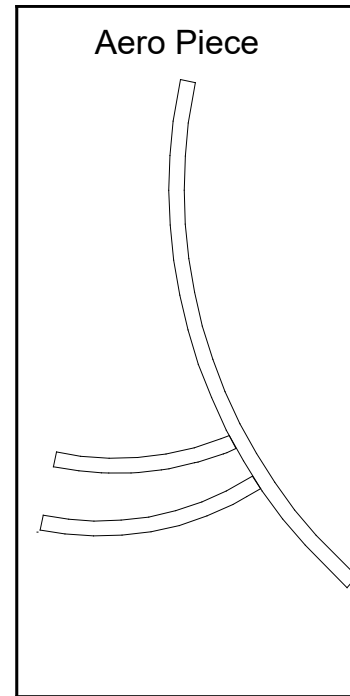
Level 1  
(Bottom level)



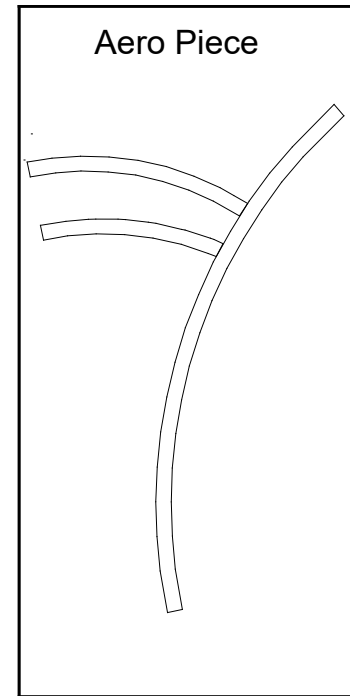
Level 2



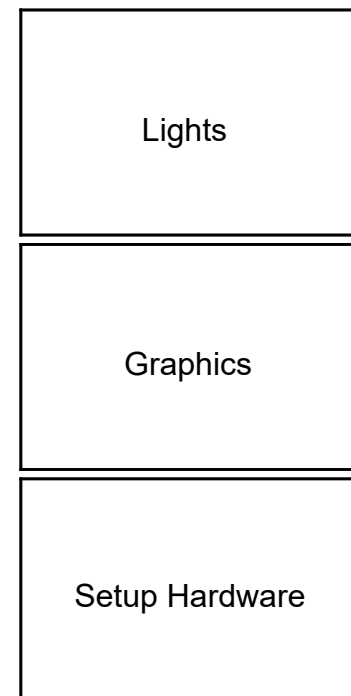
Level 3



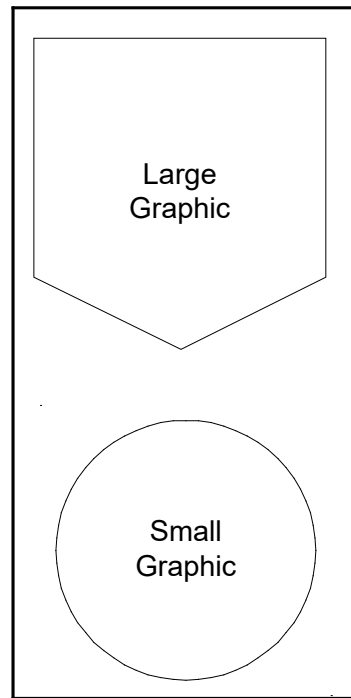
Level 4



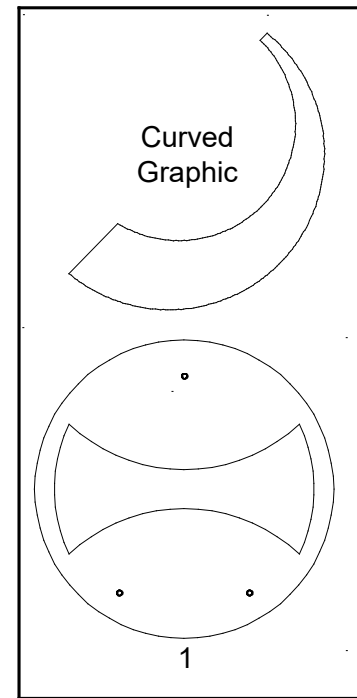
Level 5



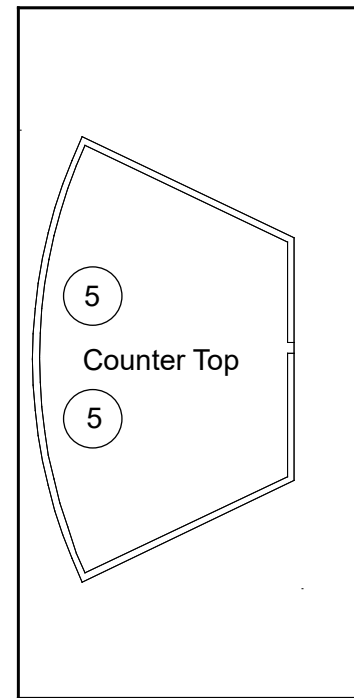
### Top View of Each Level



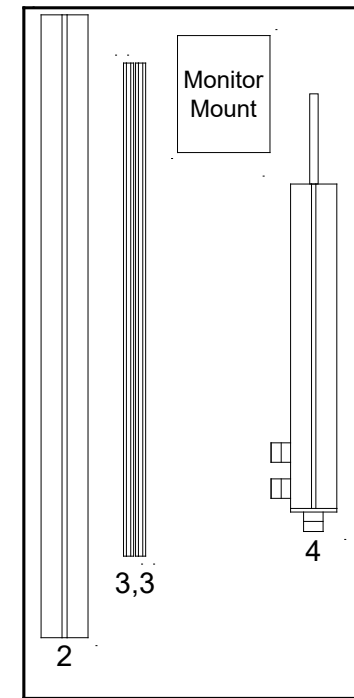
Level 1  
(Bottom level)



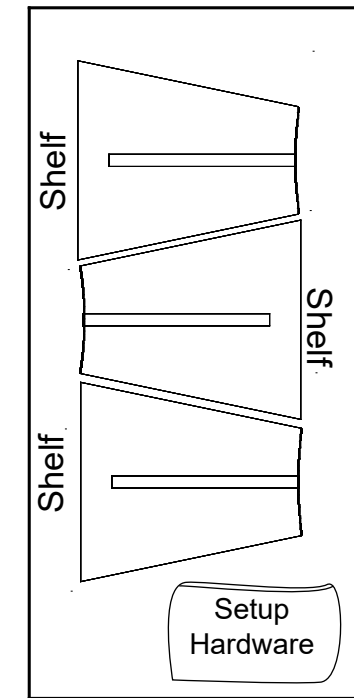
Level 2



Level 3



Level 4



Level 5

# AERO

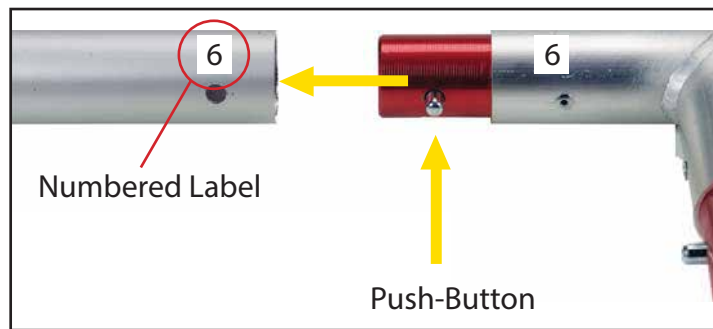
## Using Your Setup Instructions

The Aero Setup Instructions are created specifically for your configuration. The instructions include an exploded view of the frame which is sequentially labeled. We encourage you to review the instructions before attempting to assemble your exhibit.

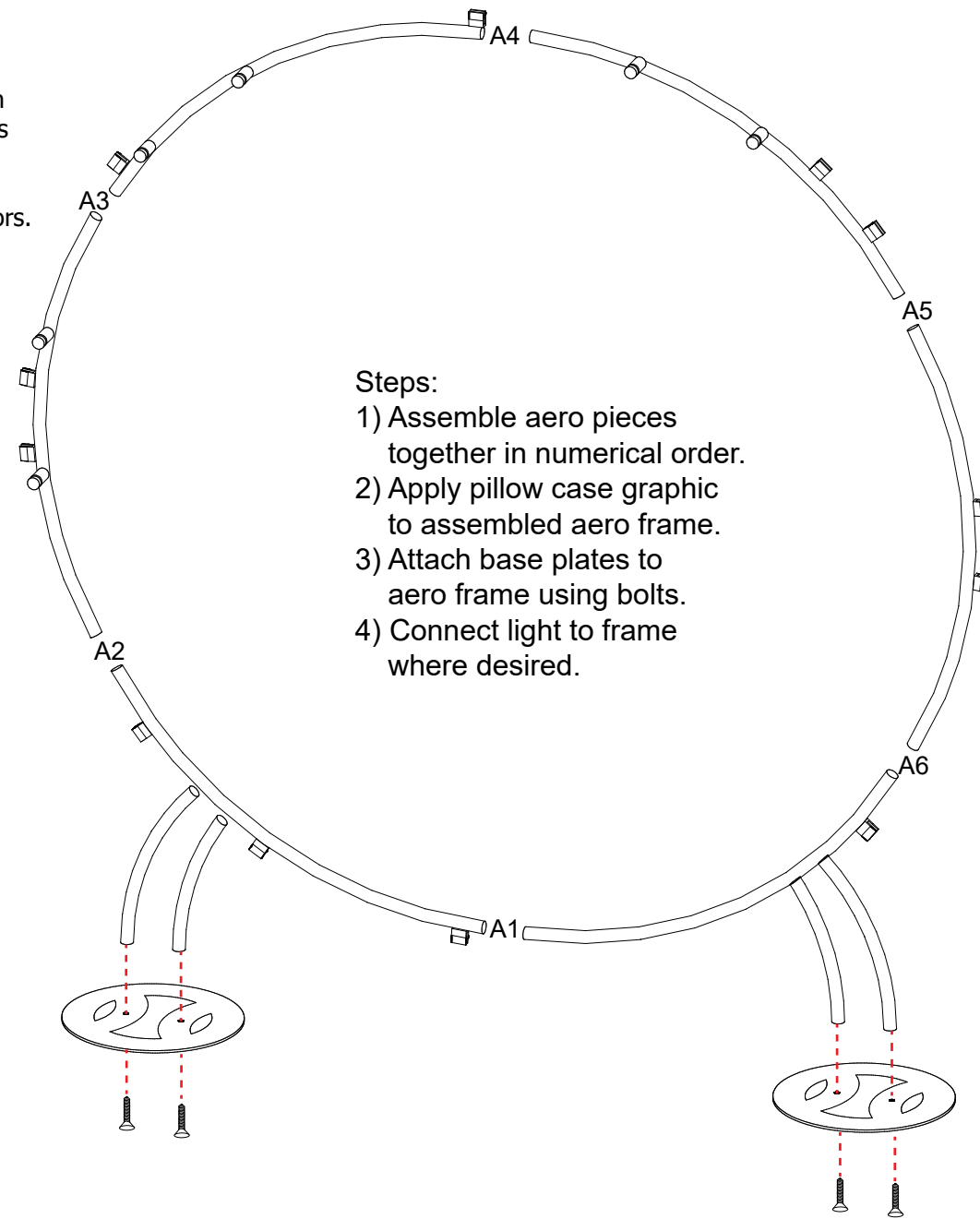
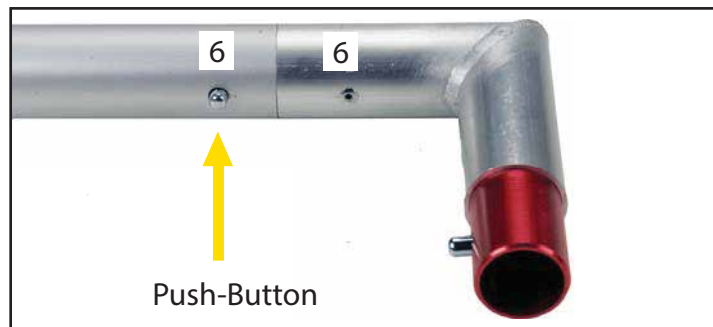
Connections are kept very simple; no tools required. Everything assembles with push-button connectors.

## Cleaning and Packing Your Display

- 1) Use care when cleaning aluminum extrusion or acrylic inserts. Use only non-abrasive cleaners.
- 2) Retain all packing material. It will make re-packing much easier and will reduce the likelihood of shipping damage.

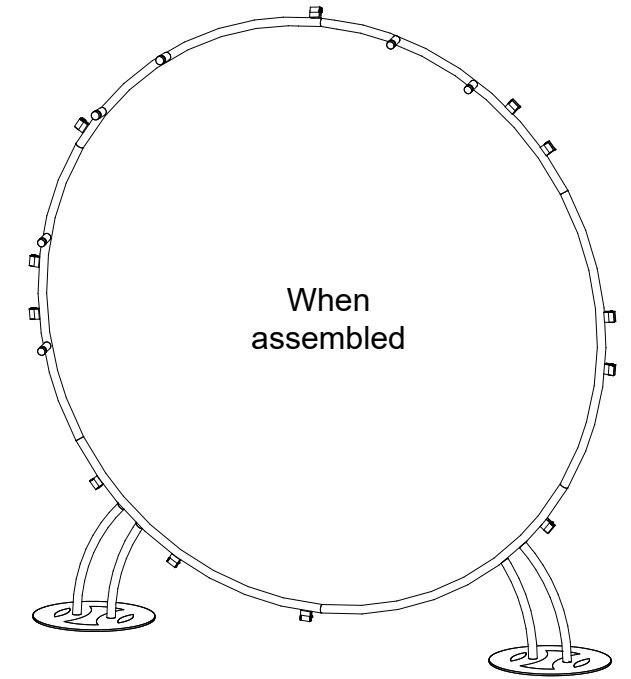


Connections are made by holding the button down and sliding the red tube into opposing tube until button locks into the hole of the opposing tube. To disassemble, push button and pull or twist extrusions apart.



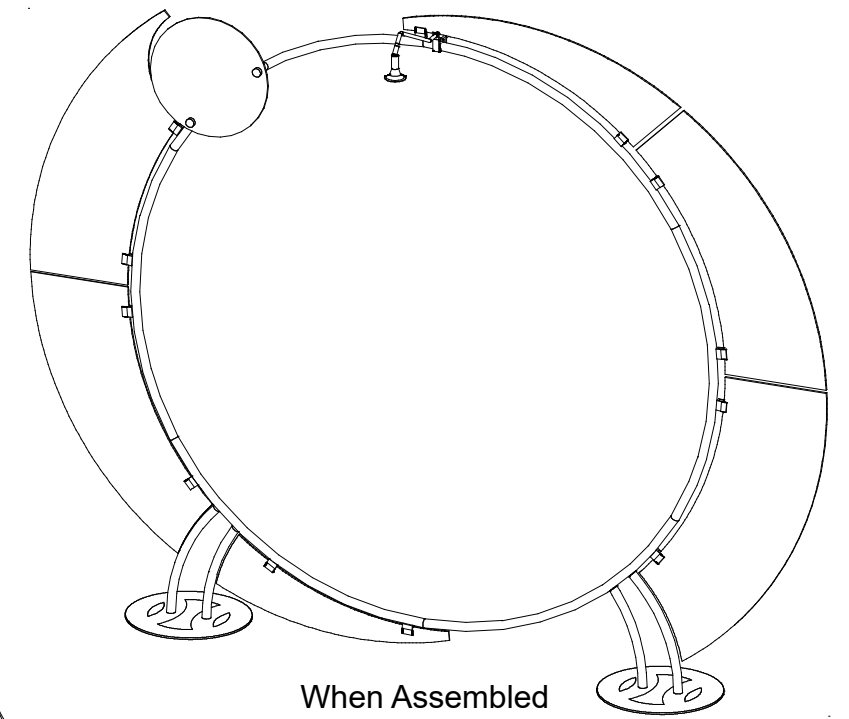
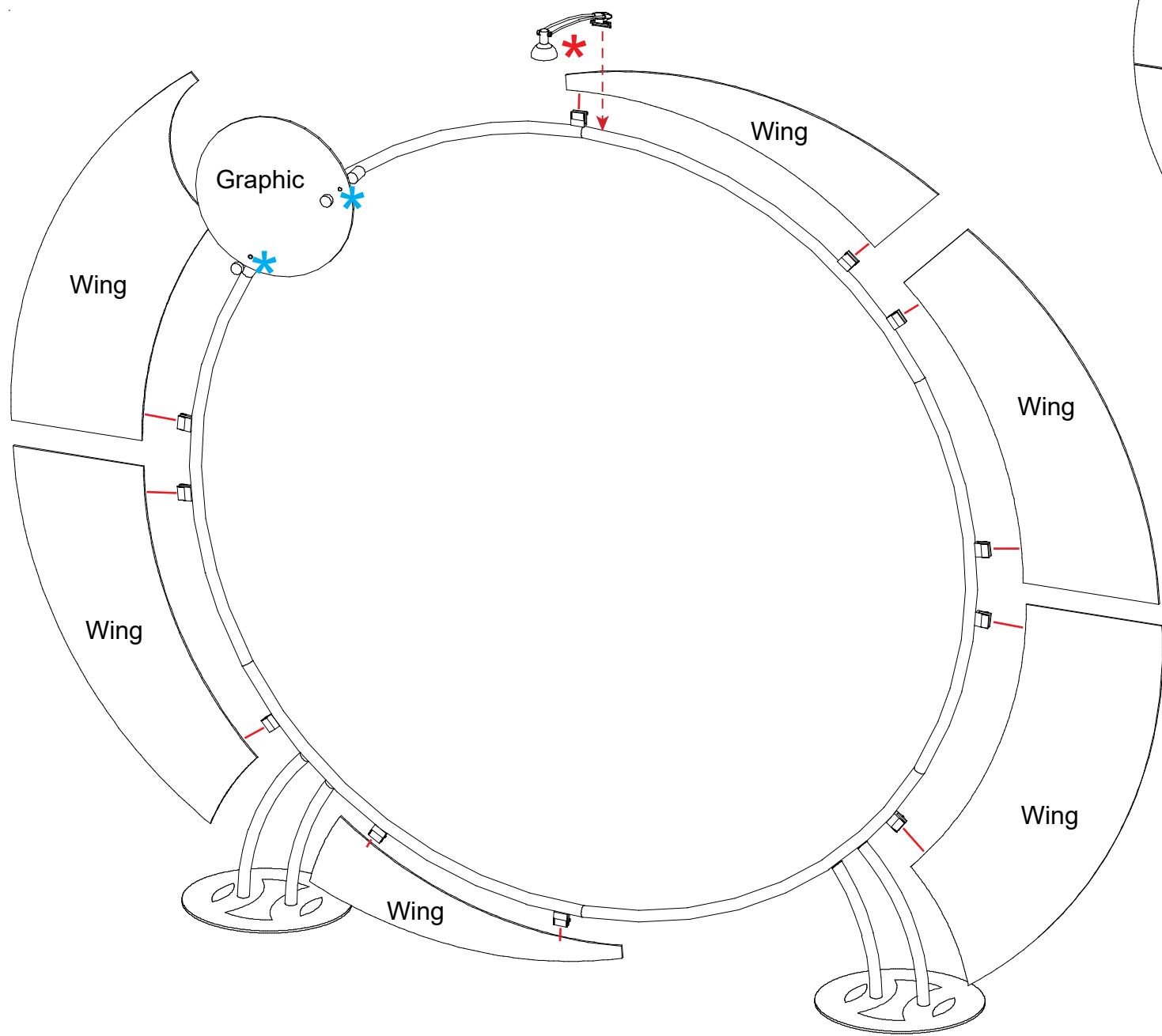
### Steps:

- 1) Assemble aero pieces together in numerical order.
- 2) Apply pillow case graphic to assembled aero frame.
- 3) Attach base plates to aero frame using bolts.
- 4) Connect light to frame where desired.



Steps:

- 1) Attach light atop assembled backwall aero frame (see *Light Connection* detail)
- 2) Attach wings to assembled backwall aero frame (see *A10 Clamp Detail*)
- 3) Attach round graphic to assembled backwall aero frame (see *Graphic Attachment* detail)



**\* Light Connection**

Attach lights to backwall where desired and tighten in place.

**\* Graphic Attachment**

Threaded Hole  
Stand-Off Barrel  
Graphic  
Screw Cap

Screw stand-off barrels into threaded Hole. Attach graphic to stand-offs using screw caps.

**A10 Clamp Detail**

Tighten set screw to secure A10 to extrusion.

Tighten knob to secure header/wing in place.

- Steps:
- 1) Attach lower verticals [2] and [3] to base plate [1], using bolts.
  - 2) Attach upper vertical [4] to lower vertical [2], using connector.
  - 3) Attach shelves to vertical [2].
  - 4) Attach large graphic to verticals [3], using screw caps. See **Large Graphic Attachment** detail.
  - 5) Attach flange plates [5] to tops of verticals [3], using bolt.
  - 6) Attach counter to flange plates [5] vertical [2], using wing nuts and thumb screws. See **Counter Attachment** detail.
  - 7) Attach small and curved graphics to [4], using A10 clamps. See **A10 Clamp** detail.
  - 8) Attach monitor mount to [4]. See **Monitor Mount** detail.

Item	Qty.	Description
1	1	Base Plate
2	1	48" Q914 Vertical Extrusion
3	2	38" Z45 Vertical Extrusion
4	1	25" Q914 Vertical Extrusion w/ Cap, Clamps, and Connector
5	2	Flange Plate
--	3	Shelf

