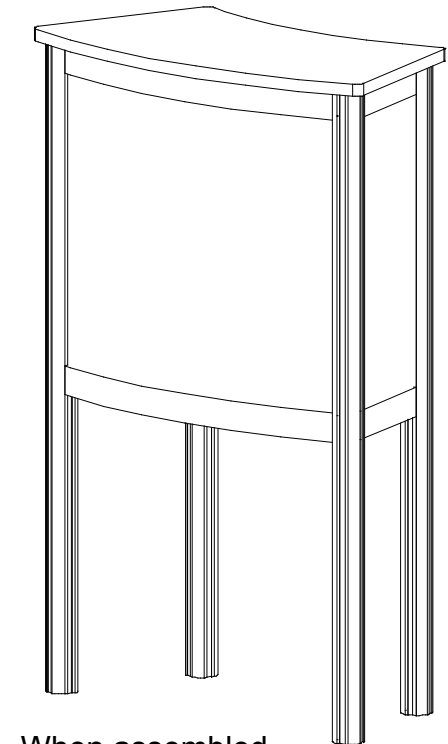
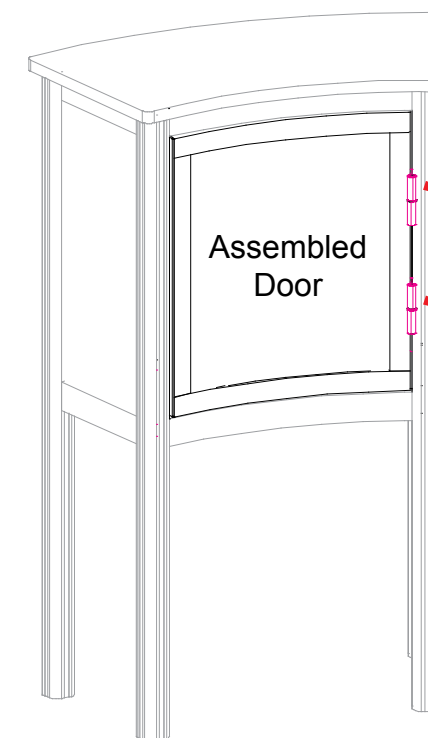
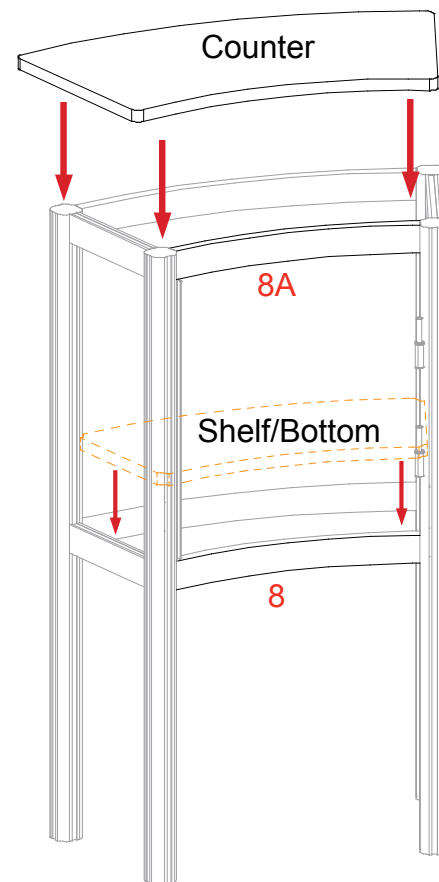
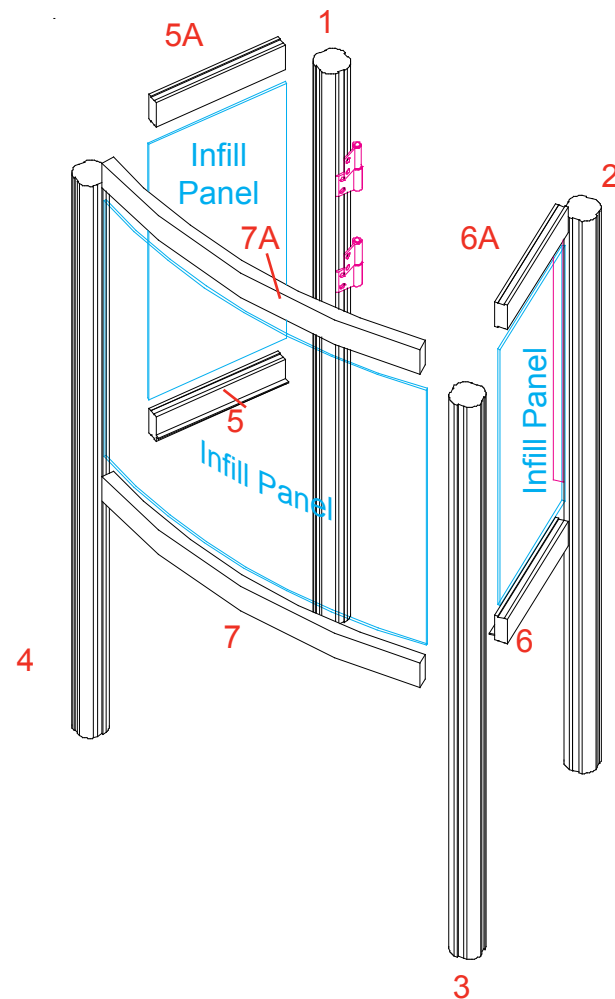


Order #XXXXX - ECO-30C Sustainable Pedestal

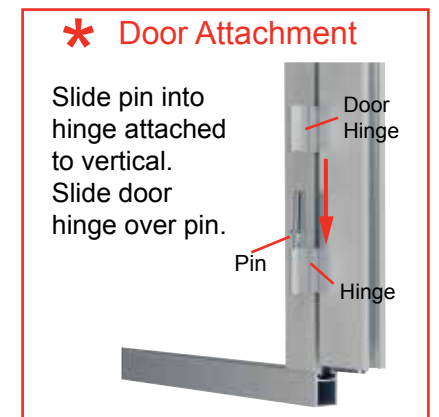
Item	Qty.	Description
1	1	40”h RSG540 Oval Vertical Extrusion w/ Door Hinge
2	1	40”h RSG540 Oval Vertical Extrusion w/ Door Stop
3	1	40”h RSG540 Oval Vertical Extrusion
4	1	40”h RSG540 Oval Vertical Extrusion
5	1	8”w Z46 Horizontal Extrusion w/ lip
5A	1	8”w Z45 Horizontal Extrusion
6	1	8”w Z46 Horizontal Extrusion w/ lip
6A	1	8”w Z45 Horizontal Extrusion
7/7A	1/1	22”w Z45 Curved Horizontal Extrusion
8/8A	1/1	16.138”w Z45 Curved Horizontal Extrusion

Steps:

- 1) Connect horizontals [5] between verticals [1] & [4];
Place Infill; secure with horizontal [5A].
- 2) Connect horizontal [6] between verticals [2] & [3];
Place Infill; secure with horizontal [6A].
- 3) Attach curved horizontal [7] between verticals [3] & [4];
Place Infill; secure with horizontal [7A].
- 4) Connect curved horizontal [8] between verticals [1] & [2].
- 5) Place Shelf/Bottom to rest on lips of horizontals [5] & [6].
- 6) Connect curved horizontal [8A] between verticals [1] & [2].
- 7) Place Counter on top of assembled pedestal body.
- 8) Hang assembled door on the hinges attached to vertical [1].
See **Door Attachment** detail.



When assembled



General Setup Instructions

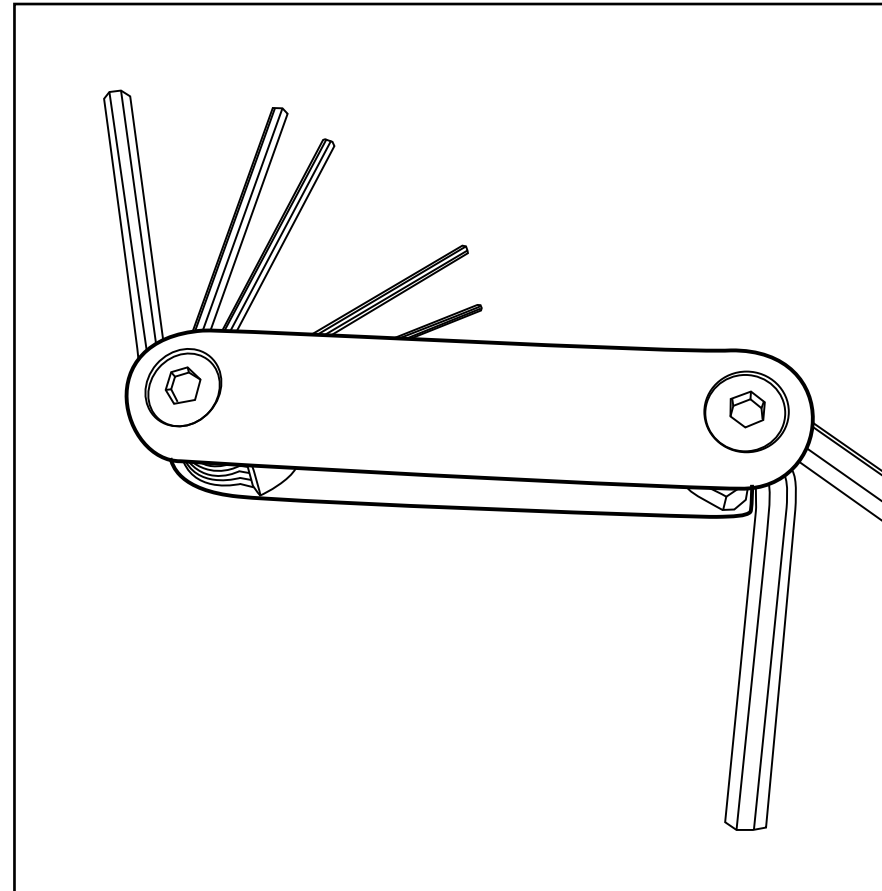
- The setup instructions are created specifically for your configuration.
- Setup instructions are laid out sequentially in levels, including exploded views and a logical series of steps for assembly. We encourage you to study the instructions before attempting to assemble your exhibit.

Cleaning and Packing

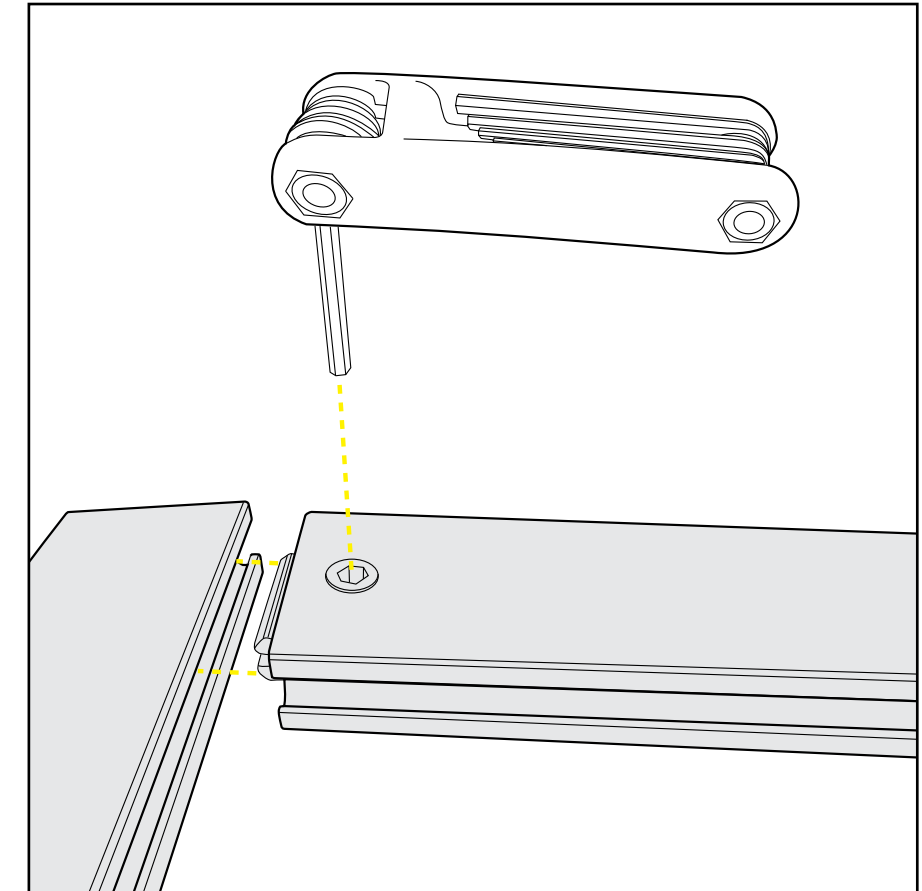
- Use non-abrasive cleaners when cleaning extrusions or ECO Glass inserts.
- Use mild cleaners and soft materials such as cotton to clean all laminates.
- Keep exhibit components away from extreme heat and long exposure to sun light. This will prevent warping and fading.
- Retain all packing material for ease of re-packing. This protects the exhibit components and keeps each part organized.

Disassembling

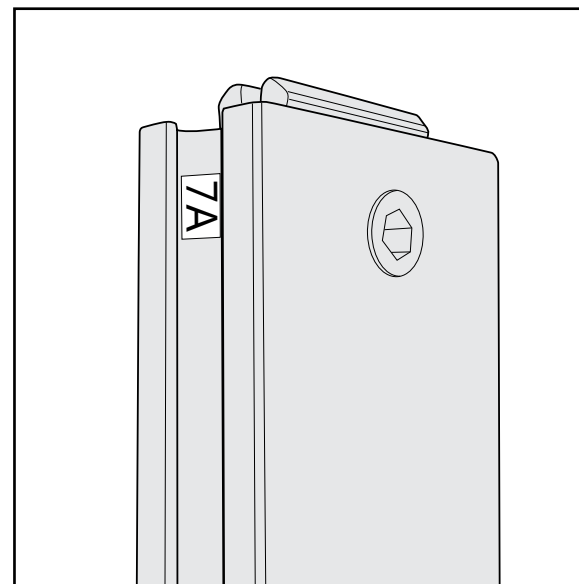
- When disassembling exhibit, tighten all setscrews to prevent loss of hardware in the shipping process.



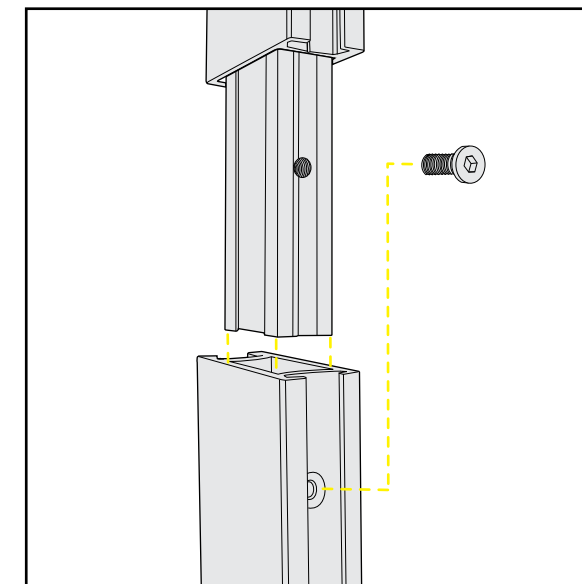
Hex Tool for Assembling Exhibit



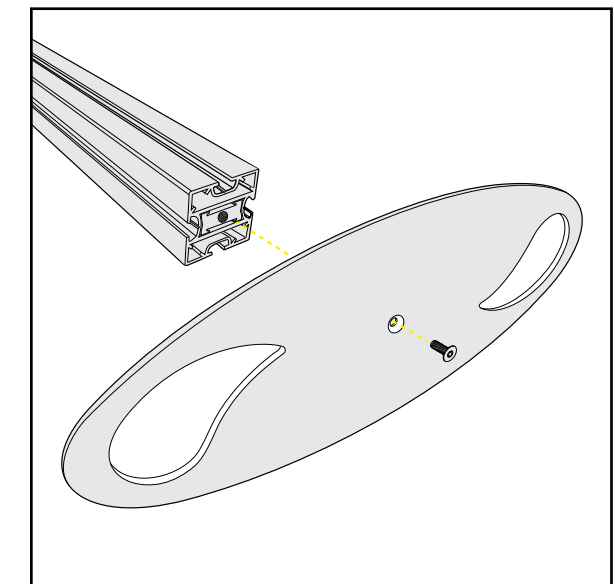
Extrusion Lock Connectors



Numbering Instructions for Setups/Packing

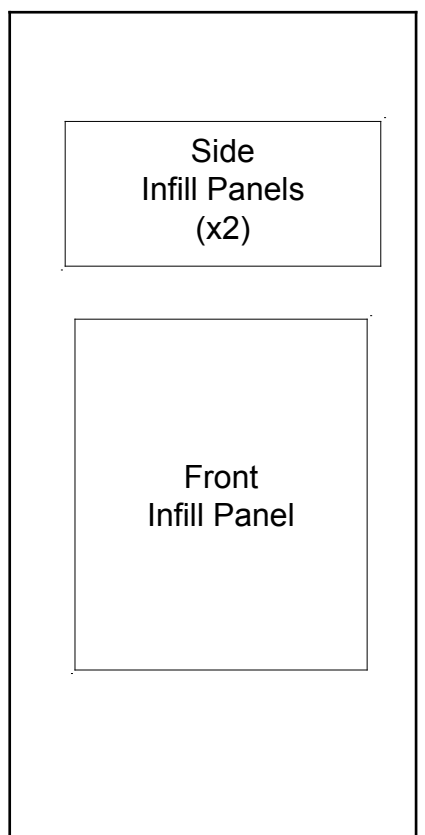


Inline Connection between Extrusions

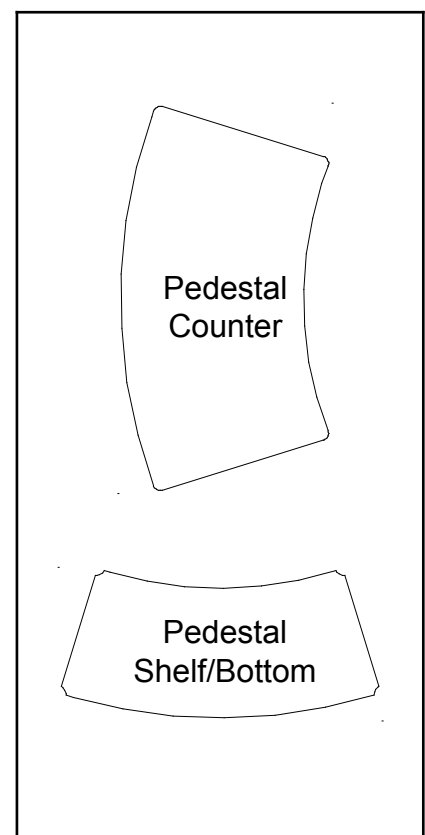


Baseplate Connection for Vertical Extrusions

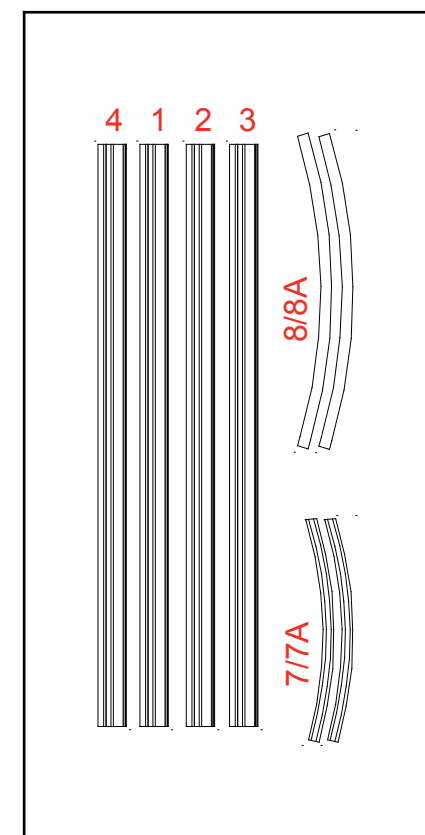
Top View of Each Level



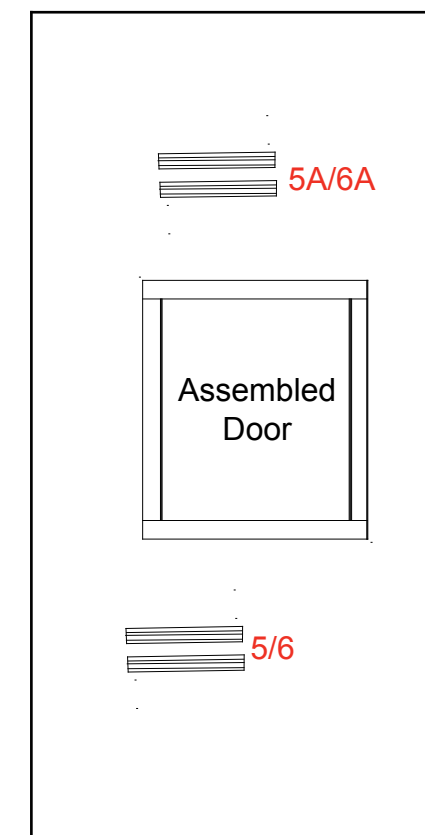
Level 1



Level 2



Level 3



Level 4